

“Best in class.”

PRECISION $\pm .001/- .001$ " | MEETS PERFORMANCE REQUIREMENTS FOR MIL-C-22520/23

SERIES 500

26 thru 250 MCM
WIRE SIZES

25 TONS
CRIMP FORCE

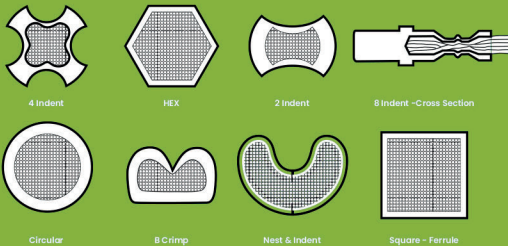
90-115 psi
STANDARD

2.5 SECS
CRIMP CYCLE

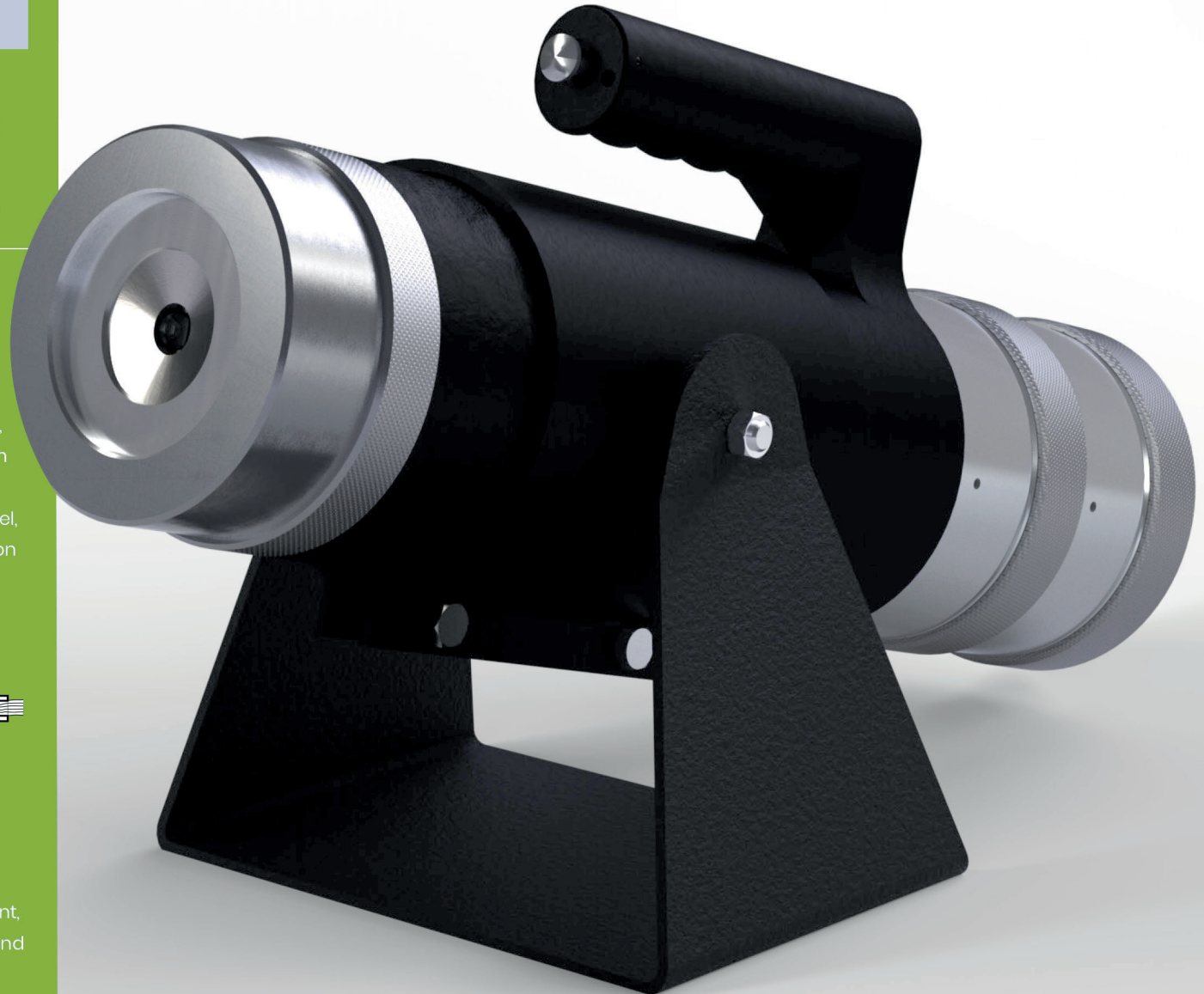
PRODUCTION READY

The most versatile pneumatic crimping tool available today. This multifaceted tool has been designed to work with a variety of applications, including pin & socket contacts, solder-less terminals and a variety of custom specific applications. Critical parts are manufactured with high-strength S-7 tool steel, ensuring light weight and durability. Production ready tools, are widely used in aerospace, defense, transportation and energy fields.

MADE IN USA



Variety of Crimp styles, including 8, 4 & 2-Indent, Hex, Circular, B, Nest & Indent, Square/Ferrule and many custom designs.



"Versatile. Durable."

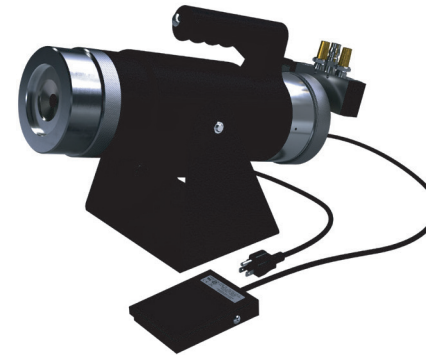
MULTI INDENT | CYCLE CONTROLLED | DESIGNED FOR SAFETY | MADE IN USA

Applications

	500-D 500-DEC	500-D-1 500-D-1EC
Contacts	22 thru 4/0	22 thru 250 MCM
Solder-less Terminals	INSULATED 26-24 thru 3/0 NON-INSULATED 26-24 thru 4/0	INSULATED 26-24 thru 4/0 NON-INSULATED 26-24 thru 250 MCM
Coaxial Applications	MAX DIAMETER	MAX DIAMETER
Contacts and Connectors	1.5 in (3.8 cm)	1.5 in (3.8 cm)
Weight	35 (15.8 kg)	39 (17.7 kg)
Length (no bench mount)	18 in (45.7 cm)	21 in (53.3 cm)

EC MODELS

EC *Electronic Controls* replace internal pneumatic cycling circuit with external directional valve, solenoid timer & foot switch. 500 tools equipped with EC controls generate greater crimp force, substantially decreased cycle times and longer life cycles. All EC models come standard with valve, timer and foot/hand switch. EC upgrade kits are available for existing pneumatic 500 series tooling. 110 or 240v, and 80-110 psi air required.



SAFETY

No operator adjustments are necessary. Human engineered to prevent accidents. 500 models include safety cycling feature that is built into all of Pico's line of quality tooling.

PERFORMANCE

Meets and/or exceeds performance requirements for MIL-C-22520/23. Equally home in small shops and large factories due to its unique combination of power, versatility and durability.

